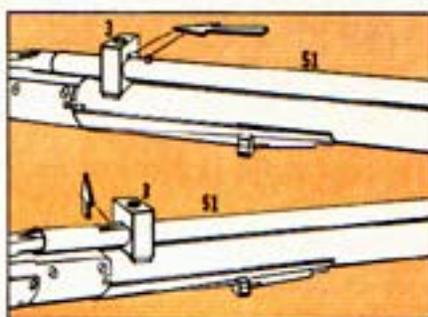
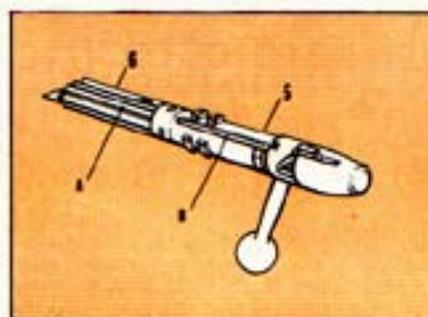


4 Unscrew four receiver cover screws (59), and remove receiver cover (58) from left side of receiver assembly (57). Pry out ejector cover (19), and remove ejector spring (22) and ejector spring guide (23). Reassemble in reverse.



5 During reassembly of Model 592, small stud on outer magazine tube (51) must engage with groove in barrel bracket (3). Bend small tongue on tube so that it engages against rear of bracket and prevents tube from moving forward.



6 Firing pin must be cocked when replacing bolt in receiver. Align rib (A) on bottom of bolt head with groove (B) on bolt body assembly. Start bolt assembly in receiver with handle at two o'clock position, press safety forward all the way, and push bolt forward.

## PARTS LEGEND

- |                                     |                               |                                       |                                     |
|-------------------------------------|-------------------------------|---------------------------------------|-------------------------------------|
| 1. Barrel (592)                     | 21. Ejector rivet             | 42. Magazine latch screw (591)        | 63. Safety plunger                  |
| 2. Barrel assembly pin (2)          | 22. Ejector spring            | 43. Magazine pin (592)                | 64. Safety plunger spring           |
| 3. Barrel bracket (592)             | 23. Ejector spring guide      | 44. Magazine plate (591)              | 65. Safety retaining screw          |
| 4. Bolt assembly pin                | 24. Elevation screw           | 45. Magazine plate screw (591)        | 66. Sear                            |
| 5. Bolt body assembly               | 25. Extractor                 | 46. Magazine plug (592)               | 67. Sear pin                        |
| 6. Bolt head                        | 26. Firing pin                | 47. Magazine ring (592)               | 68. Stock                           |
| 7. Bolt plug                        | 27. Firing pin retaining pin  | 48. Magazine shoe (591)               | 69. Striker                         |
| 8. Bolt stop                        | 28. Floor plate (592)         | 49. Magazine spring (592)             | 70. Striker cross pin               |
| 9. Bolt stop spring                 | 29. Floor plate screw (592)   | 50. Mainspring                        | 71. Striker washer                  |
| 10. Buttplate                       | 30. Front sight               | 51. Outer magazine tube (592)         | 72. Takedown screw (592)            |
| 11. Buttplate screw (2)             | 31. Grip cap                  | 52. Rear sight base                   | 73. Takedown screw (591)            |
| 12. Carrier (592)                   | 32. Grip cap screw            | 53. Rear sight eyepiece               | 74. Takedown screw escutcheon (591) |
| 13. Carrier pin (592)               | 33. Housing                   | 54. Rear sight leaf                   | 75. Trigger                         |
| 14. Carrier spring (592)            | 34. Housing lock screw        | 55. Rear sight rib                    | 76. Trigger guard                   |
| 15. Cartridge feed insert (592)     | 35. Housing pin               | 56. Rear sight screw (2)              | 77. Trigger guard screw             |
| 16. Cartridge feed insert pin (592) | 36. Inner magazine tube (592) | 57. Receiver assembly                 | 78. Trigger pin                     |
| 17. Cocking piece                   | 37. Latch                     | 58. Receiver cover                    | 79. Trigger spring                  |
| 18. Ejector                         | 38. Magazine assembly (591)   | 59. Receiver cover screw (4)          | 80. Windage screw                   |
| 19. Ejector cover                   | 39. Magazine follower (592)   | 60. Safety                            |                                     |
| 20. Ejector release                 | 40. Magazine guide (591)      | 61. Safety pivot pin                  |                                     |
|                                     | 41. Magazine latch (591)      | 62. Safety pivot pin retaining washer |                                     |

NOTE: Model number following name of part indicates part is for that model only. Parts 29 and 45 are alike except in name.

